

STRATUS ENQUIRY FORM



Email sales@skyvent.co.uk
Tel 0117 9669522
Fax 0117 9565025

Company:
Account No.
Address:

Postcode:
Tel:
Fax:
Mobile:
Contact Name:

Required delivery date: / /
Order reference:
Signature:

Quote: **Order:** **Page:** of

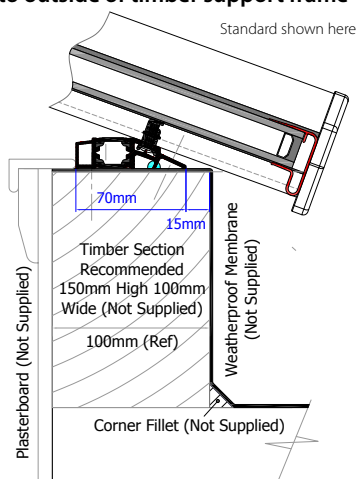
Important! Please note dimension for the Stratus lantern roof are taken to the outside of the timber support frame.

STYLE OPTIONS

Width W: mm

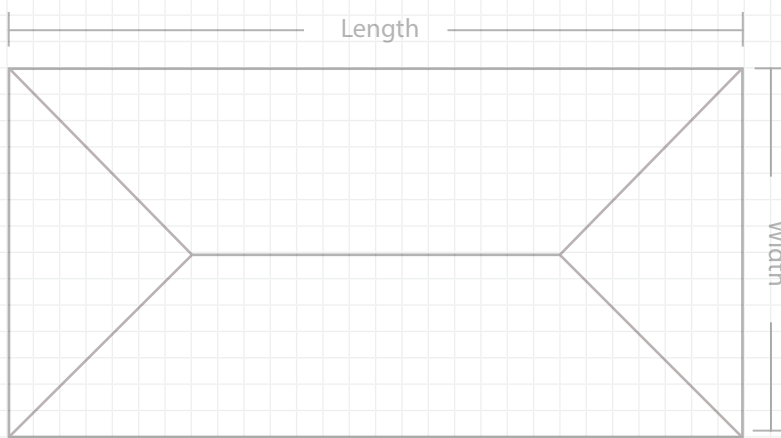
Length L: mm

Width (W) & Length (L) dimension
to outside of timber support frame



SKETCH OF DESIGN (EXTERNAL VIEW)

Use the template to draw the desired rafter layout of your roof design giving your dimensions in **millimetres**



We will use 0.6kn/m² to calculate the snow loading on this roof, if you need this changed please let us know.

ROOF COLOUR

- White External and Internal
- Grey External and Internal
- Grey External and White Internal

External and Internal grey is RAL 7016.
 External white is RAL 9016, while Internal white rafter trims are PVC-U.

ROOF GLAZING

- Unglazed for 24mm Units
- Clear
- Low 'E'
- Low 'E' Bronze
- Low Maintenance Aqua Tint
- Low Maintenance Blue Tint
- Celsius One Blue Tint
- Celsius Elite Blue Tint
- Celsius Clear Neutral Tint
- Bio Clean Blue

GENERAL INFORMATION

- Roof Pitch Fixed 20°
- 24mm Glazing in all Lantern Roofs
- All Lantern Roofs are supplied with Aluminium External Glazing Bar Cappings and Castings
- All Lantern Roofs are supplied with PVC-U Internal Glazing Bar Cappings
- The Lantern Roof is supplied without any Finial or Decorative Crestings
- Lead time for orders: 5 Days
- Maximum Size for Contemporary Roof: Length L=3000mm / Width W=1500mm**
- Maximum Size for 2-Way Lantern Roof: Length L=6000mm / Width W=1500mm**
- Maximum Size for 3-Way Lantern Roof: Length L=6000mm / Width W=3000mm**
- Suggested timber support to be 100mm wide by 150mm high (Not supplied with Lantern Roof)
- For optimum aesthetic appeal use Width W x 1.5/2/2.5 etc to obtain Length L.
 (e.g 1400mm W x 1.5 = L 2100mm)

**Maximum Sizes Shown refer to External Face of Timber Support

Other notes:

Date: / / **Signed:**

Print:

The Stratus Lantern roof has been specifically designed to be fastened down to a structurally supportive upstand in a flat roof situation. It is the sole responsibility of the installing company to make sure the supporting superstructure is designed to resist the lateral loads imposed by the Stratus Lantern.

We reserve the right to alter specifications and descriptions without prior notice as part of our policy of continuous development. E&OE.

